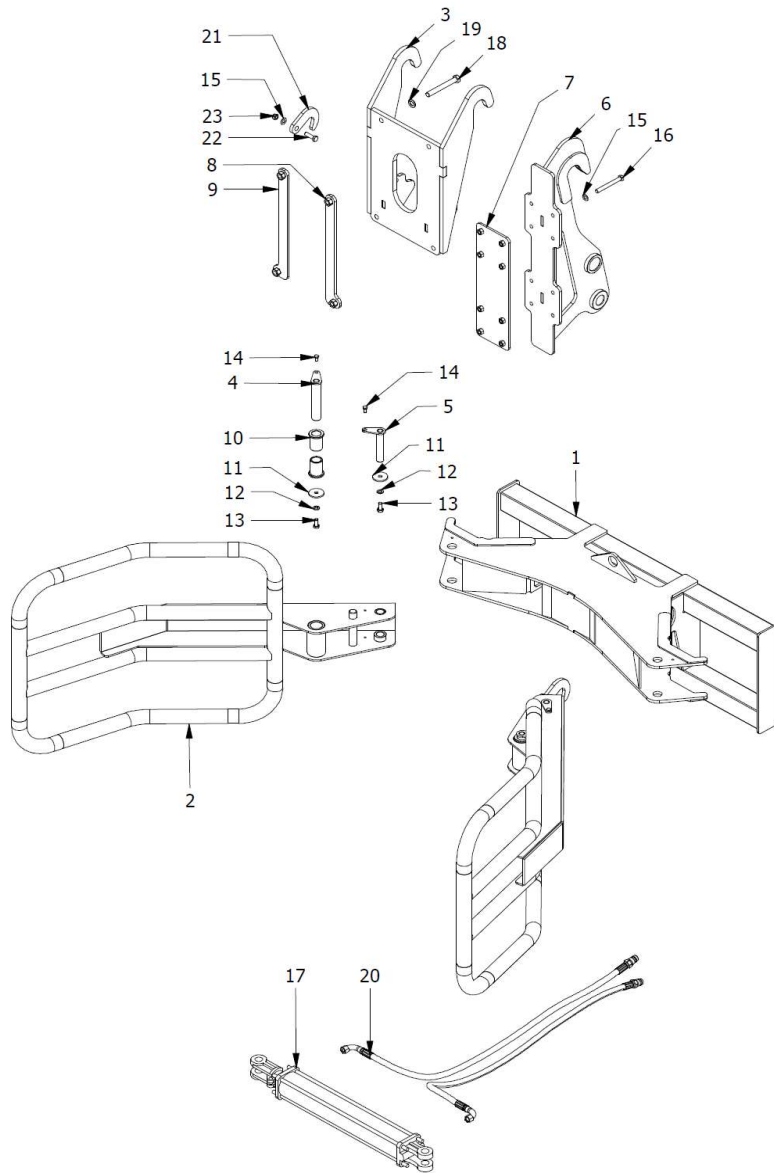


**Bale Grab  
A7510**



Item	Part No.	Description	Qty
1	H7010	Bale grab frame	1
2	H7020	Bale grab arm	2
3	H7030	Bale grab attachment - Unloader	1
4	H7040	Bale grab pin 30x154	2
5	H7050	Bale grab pin 30x120	2
6	H7060	Bale grab attachment - telehandler	2
7	H7070	Bale grab attachment backing	2
8	H7080	Bale grab attachment backing LH	1
9	H7085	Bale grab attachment backing RH	1
10	H7021	Pivot bush 30x40x61	4
11	ML8537	Washer 12.5x50x5 Galv	4
12	M91213	Washer Spring M12 Galv	4
13	M41225	Bolt M12x25 HT Galv	4
14	M40815	Bolt M8x16HT Galv	4
15	M81202	Washer Flat M12 Galv	18
16	M412110	Bolt M12x110	16
17	M7414	Cylinder Hydraulic DB30024-150	1
18	M416130	Bolt M16x130 HT Galv	4
19	M81602	Washer Flat M16x40x2	4
20	M7433	Kit Hydraulic A7525	1
21	ML9134	Head Attachment Hook	2
22	M41240	Bolt M12x40 HT Galv	2
23	M61209	Nut Nyloc M12 Galv	2