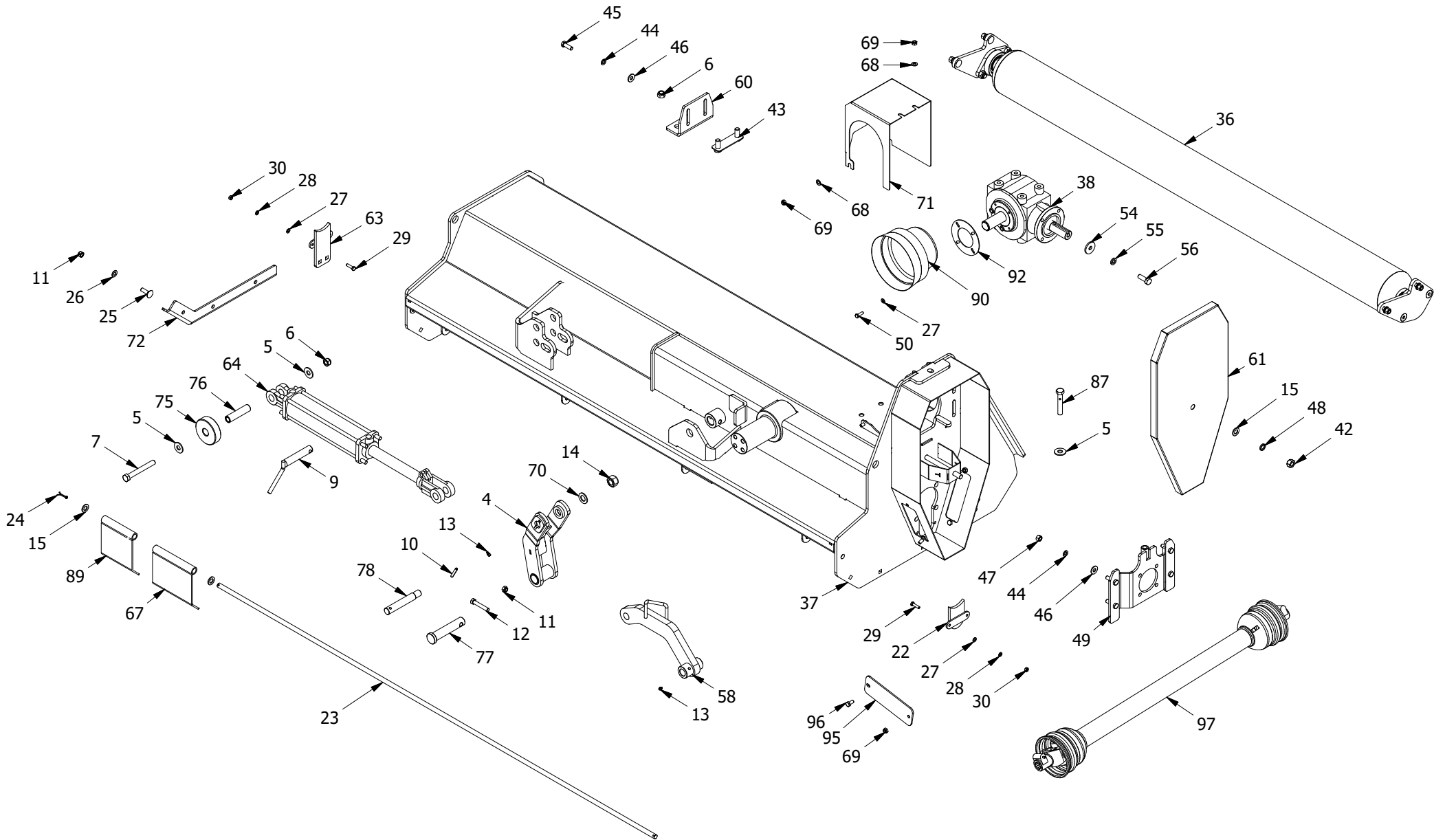
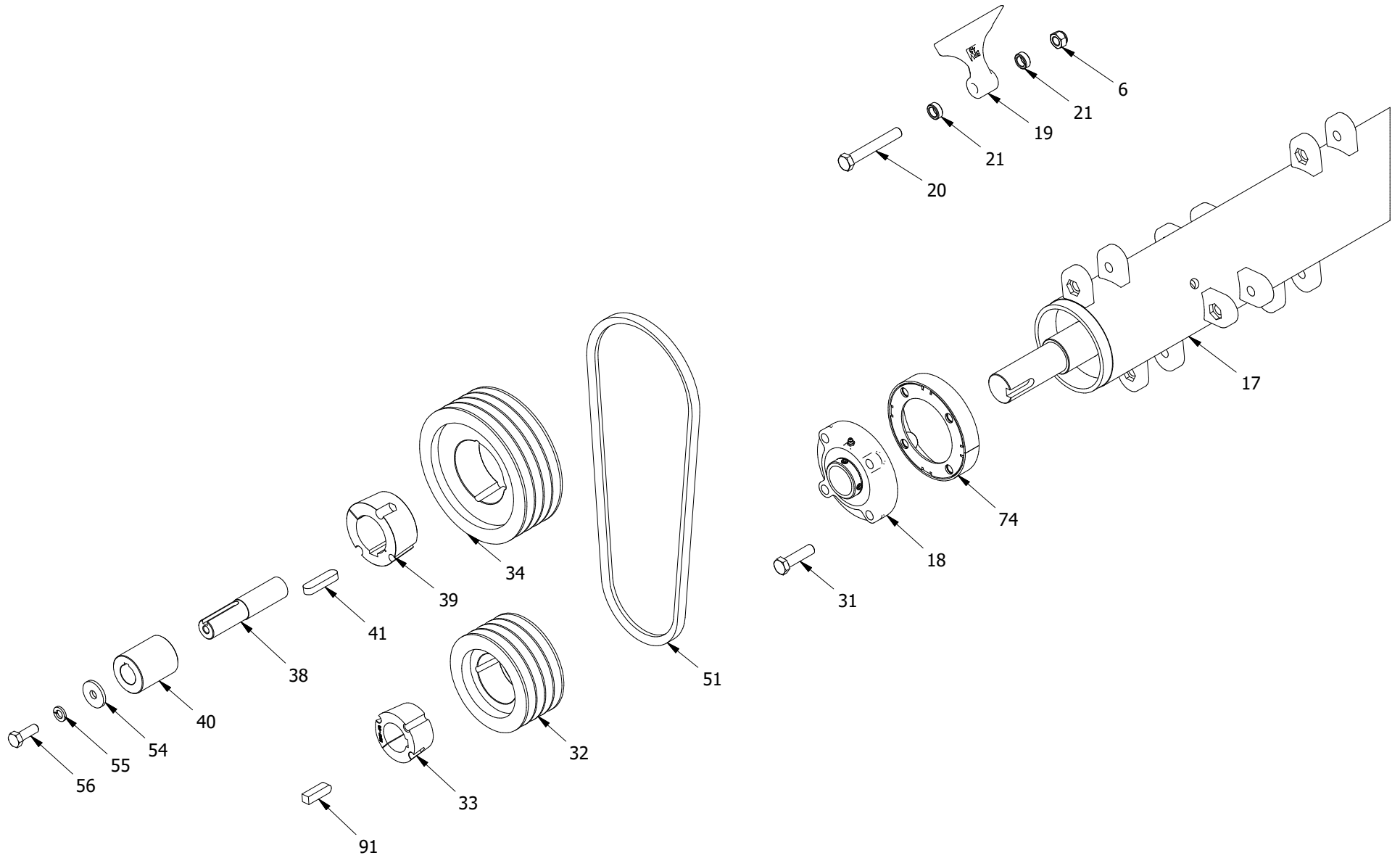


Tilt Flail Mower: Main Body  
F210T (A0140)





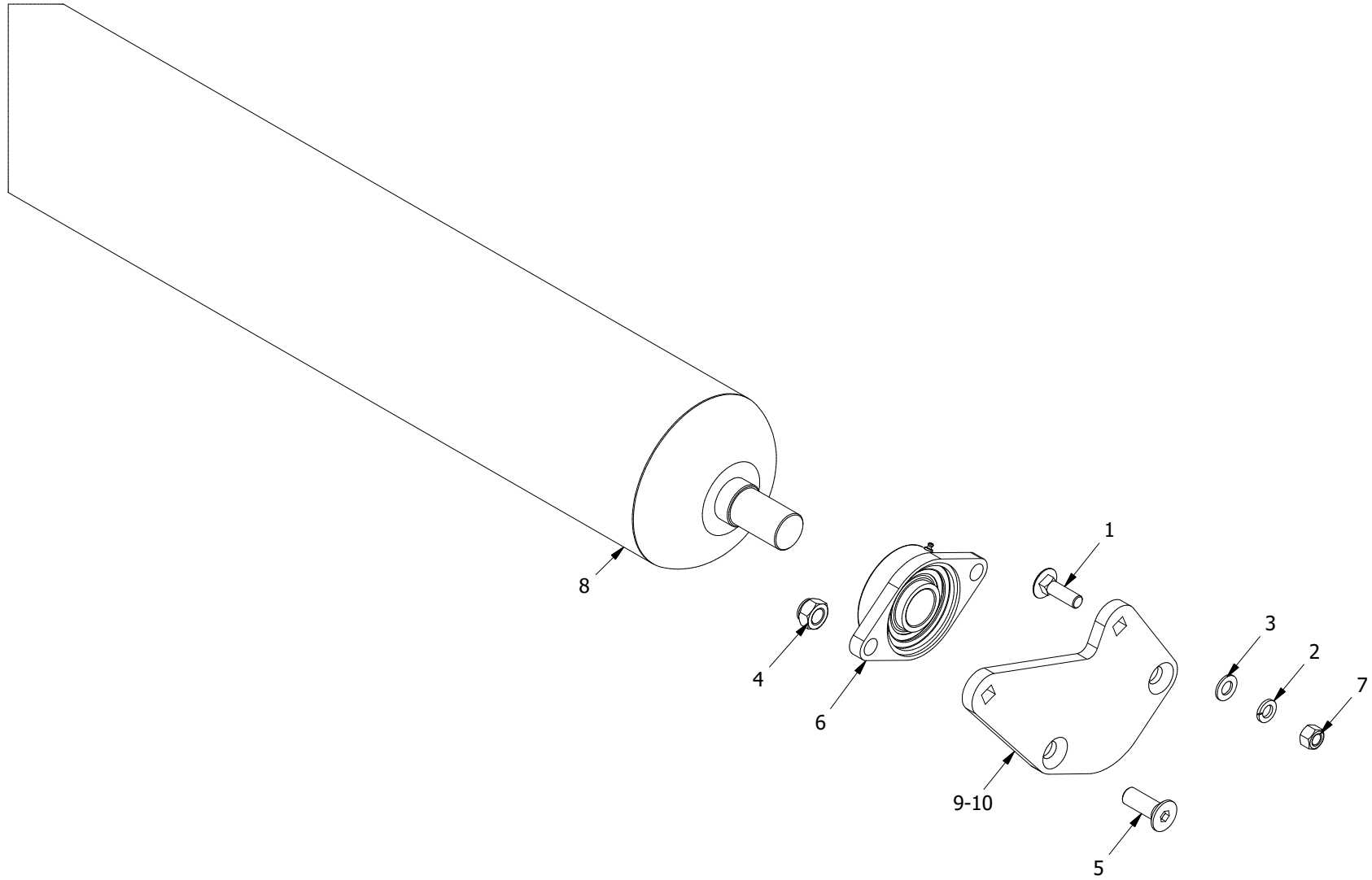
Tilt Flail Mower: Cutting Gear Assembly  
F210T (A0140)



**Tilt Flail Mower: F210T (A0140)**

Item	Part No.	Description	Qty	Item	Part No.	Description	Qty
1	H9910	Hitch frame Tilt Cat2	1	49	H9991	Tensioner Bracket A0140	1
2	H9920	Bracket Parallel carrier	1	50	M40825	Bolt M8x25HT Galv	4
3	H9930	Bracket Parallel pivot	1	51	M3861	Belt SPB-1370	4
4	H9940	Tilt arm Lower	1	52	H5680	Parking stand Adjustable	2
5	M81603	Washer M16x40x3 Galv	3	53	H0631	Pin Top link Cat1	2
6	M61616	Nut Nyloc M16 Galv	23	54	ML10263	Washer 14.2x45x5 Galv	1
7	M416130	Bolt M16x130 HT Galv	1	55	M91413	Washer Spring M14 Galv	1
8	FLP11	Lynchpin 11mm	9	56	M41440	Bolt M14x40 HT Special	1
9	H0634	Pin Top link Cat 2-125mm	2	57	M41635	Bolt M16x35 HT Galv	4
10	M5594	Roll pin M8x50	12	58	H9950	Tilt arm Upper	1
11	M61209	Nut Nyloc M12 Galv	7	59	ML10252	Washer Retaining	1
12	M41270	Bolt M12x70HT Galv	1	60	ML10254	Bracket Gearbox A0140	1
13	M10039	Grease nipple 1/8inch	2	61	H9978	Cover Belt drive A0140	1
14	M62222	Nut Nyloc M22 Galv	6	62	M5592	Roll pin M6x30	1
15	M81602	Washer Flat M16x40x2	17	63	H9986	Cover Rotor access Left	1
16	H0643	Pin Bottom link Cat2	2	64	M5684	Cylinder Hyd DB30012-150	1
17	H9960	Rotor TFM 2100x20 mount	1	65	M5683	Cylinder Hyd DB20014-106	1
18	M8740	Bearing UCFC210	2	66	H9970	Arm Parallel L975	2
19	M5735	Hammer Flail MANOB01N0BC 120x110x16	20	67	H9974	Flap Safety Main Tilt	9
20	M616110	Bolt M16x110-10.9	20	68	M81002	Washer Flat M10 Galv	4
21	H71610	Bush Hard 16x25x10	40	69	M61007	Nut Nyloc M10 Galv	6
22	H8706	Cover Rotor access Right	1	70	M82203	Washer 22x40x3.0 galv	6
23	H5687	Rod Hinge 2100 D16.0	1	71	H9976	Cover Gearbox A0140	1
24	M1399	Split pin B4x60	2	72	H9988	Skirt Right A0140	1
25	M712040	Carriage bolt M12x40 Galv	6	73	H9989	Skirt Left A0140	1
26	M81202	Washer Flat M12 Galv	6	74	H9990	Guard Rotor 152mm	2
27	M80803	Washer Flat M8 Galv	8	75	H9993	Bush stopper 26x98x28 Galv	1
28	M90813	Washer Spring M8 Galv	4	76	H9994	Bush slider 16.5x25x101 Galv	1
29	M40830	Bolt M8x30 HT	4	77	H9981	Pin Head D30x155x125 Galv	1
30	M31008	Nut M8 Galv	4	78	H9983	Pin Threaded D25x160x119 Galv	2
31	M41665	Bolt M16x60 HT Galv	8	79	H9985	Pin Threaded D30x208x166 Galv	4
32	M5734	Pulley SPB 160-4V TL2517	1	80	H9987	Pin D25x118x102 Galv	2
33	M5712	Taper-lock bush 2517-50	1	81	H9995	Pin Head D35x125x100 Galv	1
34	M5733	Pulley SPB 224-4V TL3020	1	82	H9996	Pin Head D25x198x172.5 Galv	2
35	H9965	Clevis Break link	1	83	H9997	Pin D30x182x158 Galv	1
36	H9980	Roller ass 2100	1	84	M9901	Bush Oilon Pivot	2
37	H9900	Deck 2100 A0140	1	85	M9902	Bushs oilon Parallel	8
38	M5650	Gearbox T311J Comer 9.311.875.10	1	86	H9998	Bush nylon 30.35x40x100	1
39	M03675	Taperlock bush 3020-65	1	87	H9966	Leadscrew M16x90 Adjuster	1
40	H9999	Adapter bush 33x65x78.3	1	88	H9968	Collar Galv	1
41	H9962	Key 11x18x68	1	89	H9936	Flap Safety End Tilt	2
42	M31612	Nut M16 Galv	1	90	M1141	PTO counter cone Comer	1
43	H9992	Ganged bolts M16x35	1	91	H5721	Key 12x14x50.0mm	1
44	M91213	Washer Spring M12 Galv	6	92	ML5579	Plate 4-M8@PCD105 2.0 MS PLB0 Galv	1
45	M41235	Bolt M12x35 HT Galv	2	95	ML10701	Profile 3.0 MS BLB0	2
46	M8577	Washer profiled 12.5x30x4.5 Galv	6	96	M41020	Bolt M10x20HT Galv	2
47	M31209	Nut M12 Galv	4	97	B620SZ	PTO shaft B6-2.0m QR	1
48	M91604	Washer Spring M16 Galv	1				

**Roller Assembly: H9980  
F210T (A0140)**



**Roller Assembly: H9980****F210T (A0140)**

Item	Part No.	Description	Qty	Item	Part No.	Description	Qty
1	M712040	Carriage bolt M12x40 Galv	4				
2	M91213	Washer Spring M12 Galv	4				
3	M81202	Washer Flat M12 Galv	4				
4	M61616	Nut Nyloc M16 Galv	4				
5	M51645	Cap screw M16 x 45 CSK	4				
6	M0461	Bearing UCFL 207	2				
7	M31209	Nut M12 Galv	4				
8	H5625	Roller 2100 D165.0	1				
9	H9982	Bracket Roller Mount L	1				
10	H9984	Bracket Roller Mount R	1				