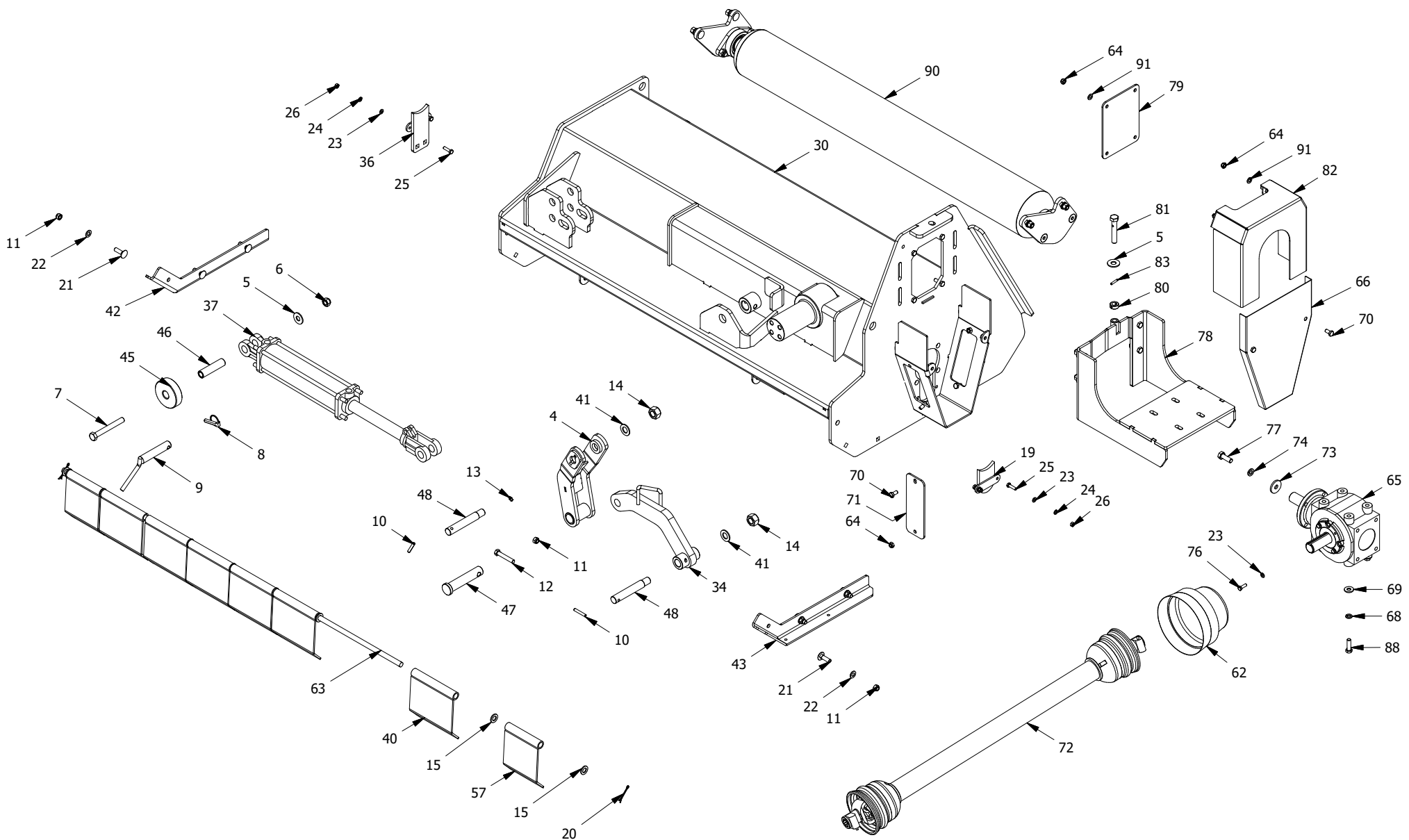
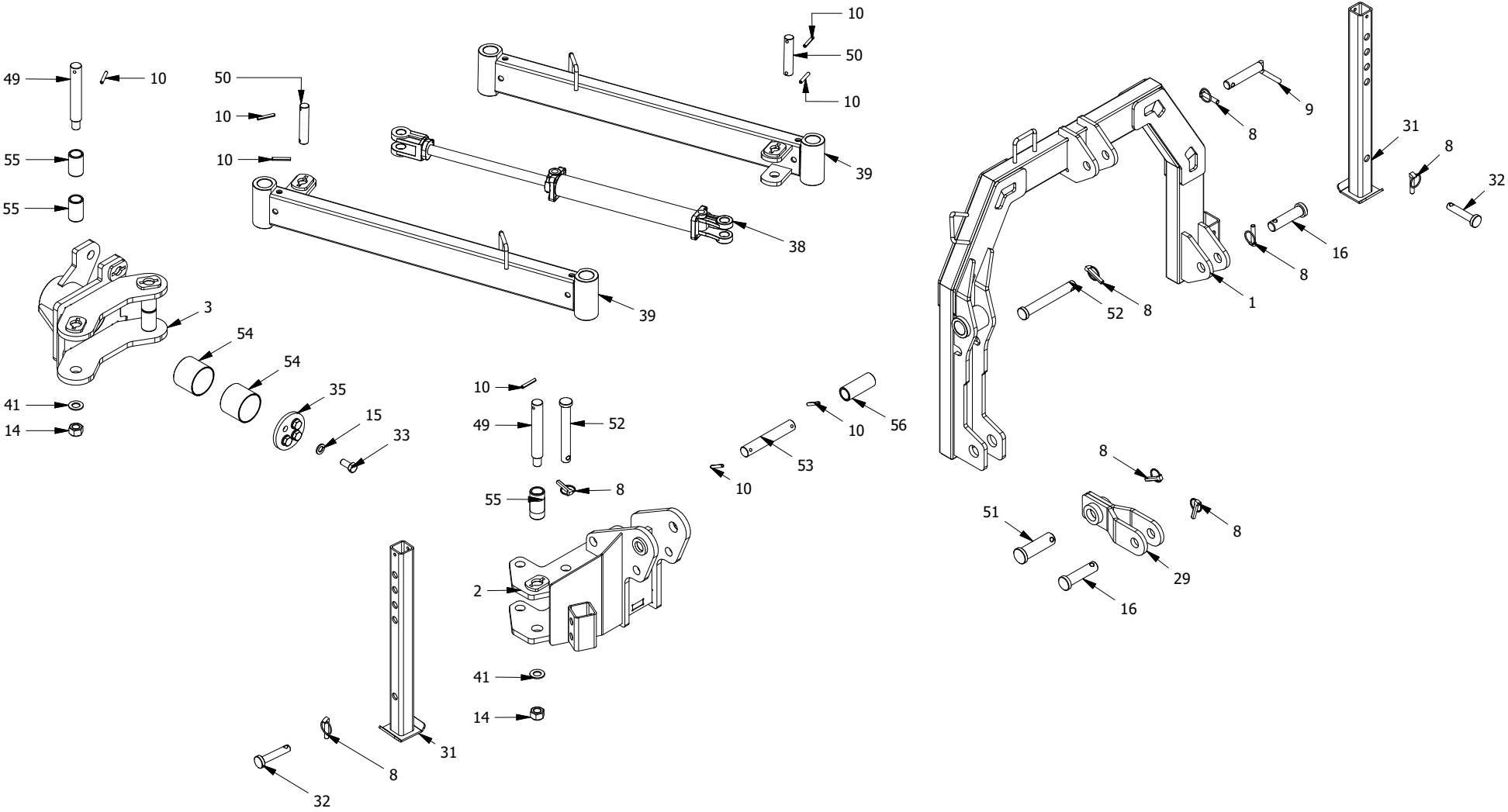


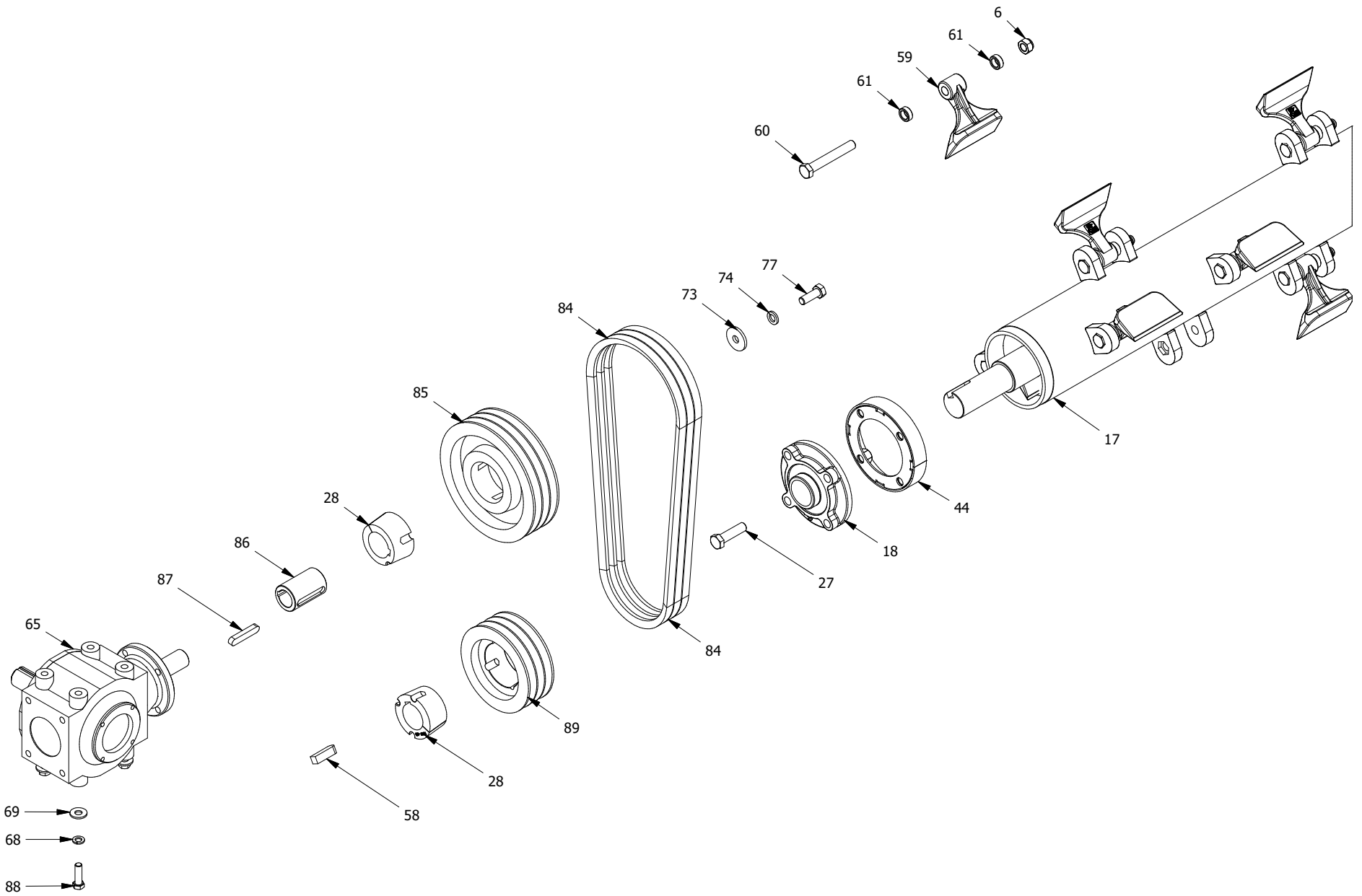
Tilt Flail Mower: Main Body F150T (A0138)



Tilt Flail Mower: Hitch Frame Assembly
F150T (A0138)



Tilt Flail Mower: Cutting Gear Assembly F150T (A0138)



Tilt Flail Mower: F150T (A0138)

ITEM	PART NUMBER	DESCRIPTION	QTY	ITEM	PART NUMBER	DESCRIPTION	QTY
1	H9913	A0138 Hitch frame Tilt Cat2	1	47	H9981	Pin Head D30x155x125 Galv	1
2	H9921	Bracket Parallel carrier	1	48	H9983	Pin Threaded D25x160x119 Galv	2
3	H9930	Bracket Parallel pivot	1	49	H9985	Pin Threaded D30x208x166 Galv	4
4	H9940	Tilt arm Lower	1	50	H9987	Pin D25x118x102 Galv	2
5	M81603	Washer M16x40x3 Galv	3	51	H9995	Pin Head D35x125x100 Galv	1
6	M61616	Nut Nyloc M16 Galv	15	52	H9996	Pin Head D25x198x172.5 Galv	2
7	M416130	Bolt M16x130 HT Galv	1	53	H9997	Pin D30x182x158 Galv	1
8	FLP11	Lynchpin 11mm	9	54	M9901	Bush Oilon Pivot	2
9	H0634	Pin Top link Cat 2-125mm	2	55	M9902	Bushs oilon Parallel	8
10	M5594	Roll pin M8x50	12	56	H9998	Bush nylon 30.35x40x100	1
11	M61209	Nut Nyloc M12 Galv	7	57	H9936	Flap Safety End Tilt	2
12	M41270	Bolt M12x70HT Galv	1	58	H5721	Key 12x14x50.0mm	1
13	M10039	Grease nipple 1/8inch	2	59	M5735	Hammer Flail MANOB01N0BC 120x110x16	14
14	M62222	Nut Nyloc M22 Galv	6	60	M616110	Bolt M16x110-10.9	14
15	M81602	Washer Flat M16x40x2	13	61	H71610	Bush Hard 16x25x10	28
16	H0643	Pin Bottom link Cat2	2	62	M1141	PTO counter cone Comer	1
17	H9905	Rotor TFM 1500x20 mount	1	63	H5684	Rod Hinge 1500 D16.0	1
18	M8740	Bearing UCFC210	2	64	M61007	Nut Nyloc M10 Galv	8
19	H8706	Cover Rotor access Right	1	65	M5650	Gearbox T311J Comer 9.311.875.10	1
20	M1399	Split pin B4x60	2	66	H9907	Cover Belt drive A0138	1
21	M712040	Carriage bolt M12x40 Galv	6	67	M31209	Nut M12 Galv	4
22	M81202	Washer Flat M12 Galv	6	68	M91213	Washer Spring M12 Galv	8
23	M80803	Washer Flat M8 Galv	8	69	ML8577	Washer 13x30x3	8
24	M90813	Washer Spring M8 Galv	4	70	M41020	Bolt M10x20HT Galv	4
25	M40830	Bolt M8x30 HT	4	71	ML10701	Profile 3.0 MS PLB0	2
26	M31008	Nut M8 Galv	4	72	B620SZ	PTO shaft B6 1.2m + Clutch FF2	1
27	M41665	Bolt M16x60 HT Galv	8	73	ML10263	Washer 14.2x45x5 Galv	1
28	M5712	Taper-lock bush 2517-50	2	74	M91413	Washer Spring M14 Galv	1
29	H9965	Clevis Break link	1	75	ML5579	Plate 4-M8@PCD105 2.0 MS PLB0 Galv	1
30	H9903	Deck 1500 A0138	1	76	M40825	Bolt M8x25HT Galv	4
31	H5680	Parking stand Adjustable	2	77	M41440	Bolt M14x40 HT Special	1
32	H0631	Pin Top link Cat1	2	78	H9906	TENSIONER BRACKET A0138	1
33	M41635	Bolt M16x35 HT Galv	4	79	ML10883	Profile 5.0 MS PLB0	1
34	H9950	Tilt arm Upper	1	80	H9968	Collar Galv	1
35	ML10252	Washer Retaining	1	81	H9966	Leadscrew M16x90 Adjuster	1
36	H9986	Cover Rotor access Left	1	82	H9908	Cover Belt Drive A0138	1
37	M5684	Cylinder Hyd DB30012-150	1	83	M5592	Roll pin M6x30	1
38	M5683	Cylinder Hyd DB20014-106	1	84	M3861	Belt SPB-1370	3
39	H9971	Arm Parallel L975 A0138	2	85	M04387	Pulley SPB 224-3V TL2517	1
40	H9974	Flap Safety Main Tilt	6	86	H9909	Adapter Bush 33x50x78.3	1
41	ML82203	Washer 22x40x3.0 galv	6	87	H9912	Key 9x14x68.0mm	1
42	H9988	Skirt Right A0140	1	88	M41240	Bolt M12x40 HT Galv	4
43	H9989	Skirt Left A0140	1	89	M04374	Pulley SPB 160-3V TL2517	1
44	H9990	Guard Rotor 152mm	2	90	H9904	Roller ass 1500	1
45	H9993	Bush stopper 26x98x28 Galv	1	91	M81002	Washer Flat M10 Galv	6
46	H9994	Bush slider 16.5x25x101 Galv	1				