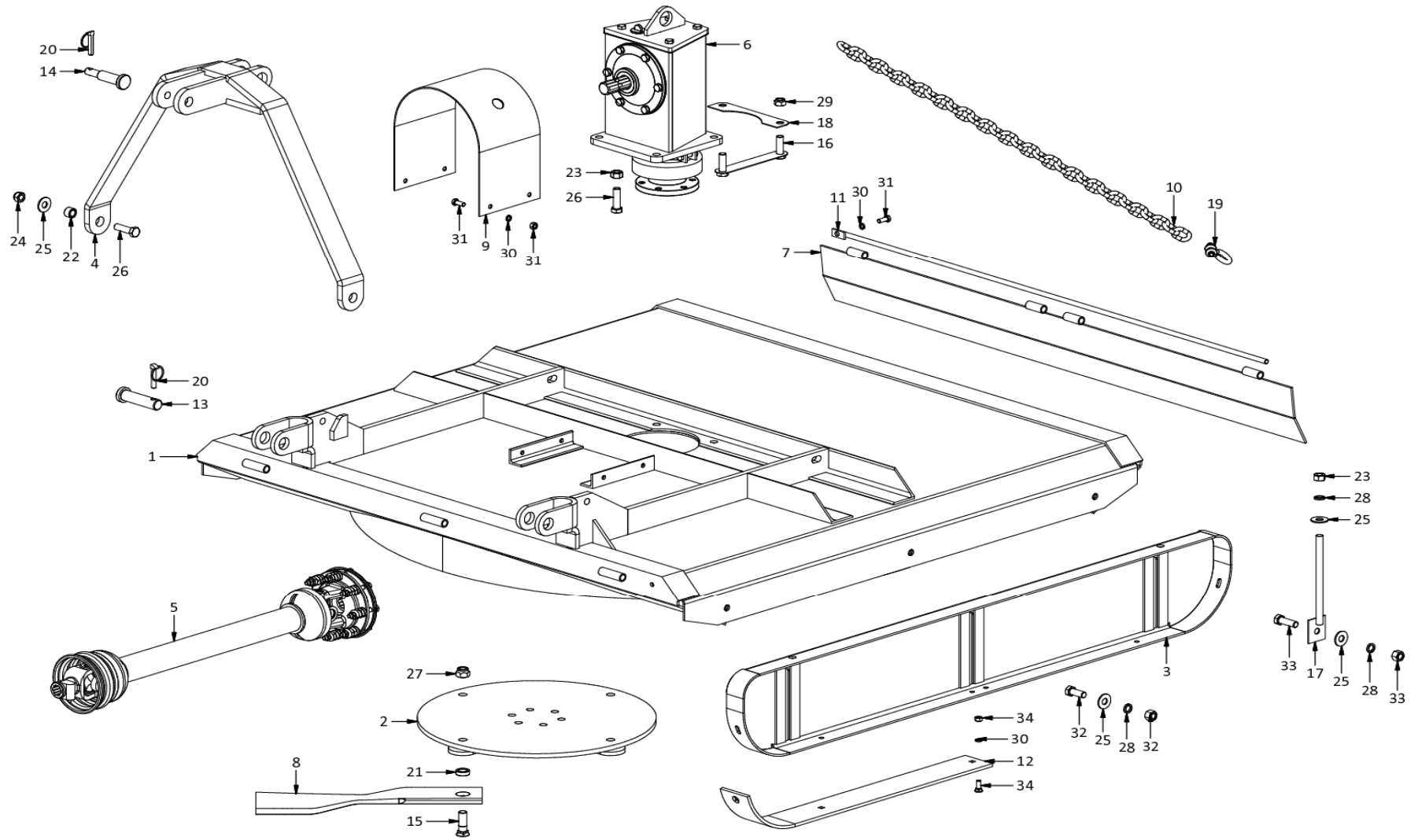


F50-150 Fieldmulcher  
A0007



**F50-150 Fieldmulcher  
A0007**

Item	Part No.	Description	Qty	Item	Part No.	Description	Qty
1	H0509	Deck Painted 150	1	41	M3170	Decal VERY IMPORTANT BEFORE USING.....	1
2	H1127	Disc Round 50/120 BM & 50/150 GM	1	42	M3171	Decal Baie Belangrik Alvorens U Die	1
3	H0419	Skid Plate Fieldmulcher	2	43	M3174	Decal IMPORTANT WHEN LOADING.....	1
4	H0603	Top mast Cat 1/2	1	44	M3175	Decal PROUD TO BE SOUTH AFRICAN	1
5	T600960CE112F22	PTO shaft T60 960 112 F22	1	45	M3178	Decal Blade/Lem	1
6	H1300	Gearbox 1:1.81 F50 Falcon	1	46	M3187	Decal ATTENTION If your tractor is ....	1
7	H0202	Flap Rear 1.5m	1				
8	H1527	Blade 10x100x530mm 32.5 CL	4				
9	H0702	PTO guard	1				
10	R0611	Chain Gr5 10mm 2T	1				
11	H0102	Rod Flap 1.5m	1				
12	H0422	Skid Runner 8x90x86.5	4				
13	H0643	Pin Bottom link Cat2	2				
14	H0633	Pin Top link Cat 1/2	1				
15	M51963	Blade bolt 3/4UNCx2-1/2 CSK HT	4				
16	H5357	Bolt set M16Fx55-2 F50	2				
17	H0440FM	Height Adjuster Roller (Long Series)	4				
18	M0623	Spacer Gearbox 2mm	1				
19	M0622	Shackle 7/16in 1.5T	2				
20	FLP11	Lynchpin 11mm	3				
21	H71911	Bush Hard 19x32x11	4				
22	H71617	Bush 16x25x17	2				
23	M31612	Nut M16	10				
24	M61616	Nut Nyloc M16	2				
25	M81603	Washer M16x40x3	12				
26	M41655	Bolt M16x55 HT	8				
27	M61920	Nut Nyloc 3/4UNC	4				
28	M91604	Washer Spring M16	10				
29	M61616F	Nut Nyloc M16F	4				
30	M91002	Washer Spring M10	17				
31	M11025	Bolt + Nut M10x25 HT	9				
32	M11640	Bolt + Nut M16x40 HT	4				
33	M11650	Bolt & Nut M16 x 50	8				
34	M21030	Plough bolt + Nut M10x30 HT	24				
35	M3176	Decal Brid FALCON Meduim	1				
36	M3003	Serial plate Metal FALCON	1				
37	M3124	Decal F50/150FM Fieldmulcher	1				
38	M3172	Decal DANGER STAY AWAY - ROTATING.....	1				
39	M3173	Decal Lifting hook	1				
40	M3169	Decal Bird FALCON Small	2				

## Gearbox F50 H1300

	Item	Part No.	Description	Qty
	1	H1310	Gear Bevel Z29/z10	1
	2	M1311	Bearing L44610	1
	3	M1312	Bearing L44649	1
	4	M1313	Shim 35x49x0.25	A/R
	4	M1341	Shim 35x49x0.5	A/R
	4	M1342	Shim 35x49x1.0	A/R
	5	H1309	Shaft Input 1-3/8 Z6	1
	6	M1306	Bearing LM48510	1
	7	M1307	Bearing LM48548	1
	8	H1308	Washer Hard 50x35x4	1
	9	M1301	Seal Radial lip 137227	1
	10	M81201	Washer Star M12	6
	11	H1303	Input cover F50	1
	12	M1304	Gasket Input F50	1
	13	M1305	Shim 0.1mm Plastic	A/R
	14	M1334	Plug + Dipstick F50	1
	15	M41225	Bolt M12x25HT	10
	16	H1321A	Cover Gearbox F50	1
	17	M1320	Gasket Top F50	1
	18	H1314	Housing F50	1
	19	M1319	Nut Slotted 1.0UNF	1
	20	M1343	Washer 40x26x2	1
	21	H1318	Gear Bevel Z16/z6	1
	22	M1407	Bearing LM29749	1
	23	M1408	Bearing LM29710	1
	24	H1324	Retainer Domed	1
	25	M1327	Bearing 603011	1
	26	M1328	Bearing 603049	1
	27	M1325	Seal Radial lip 103905	2
	28	M1326	Seal Felt 75x50x10	1
	29	H1323	Dust cover	1
	30	M41045	Bolt M10x45HT	2
	31	M31007	Nut M10	2
32	H1315	Shaft Output F50	1	
33	M1416	Split pin B5x60	1	

A/R = As Required