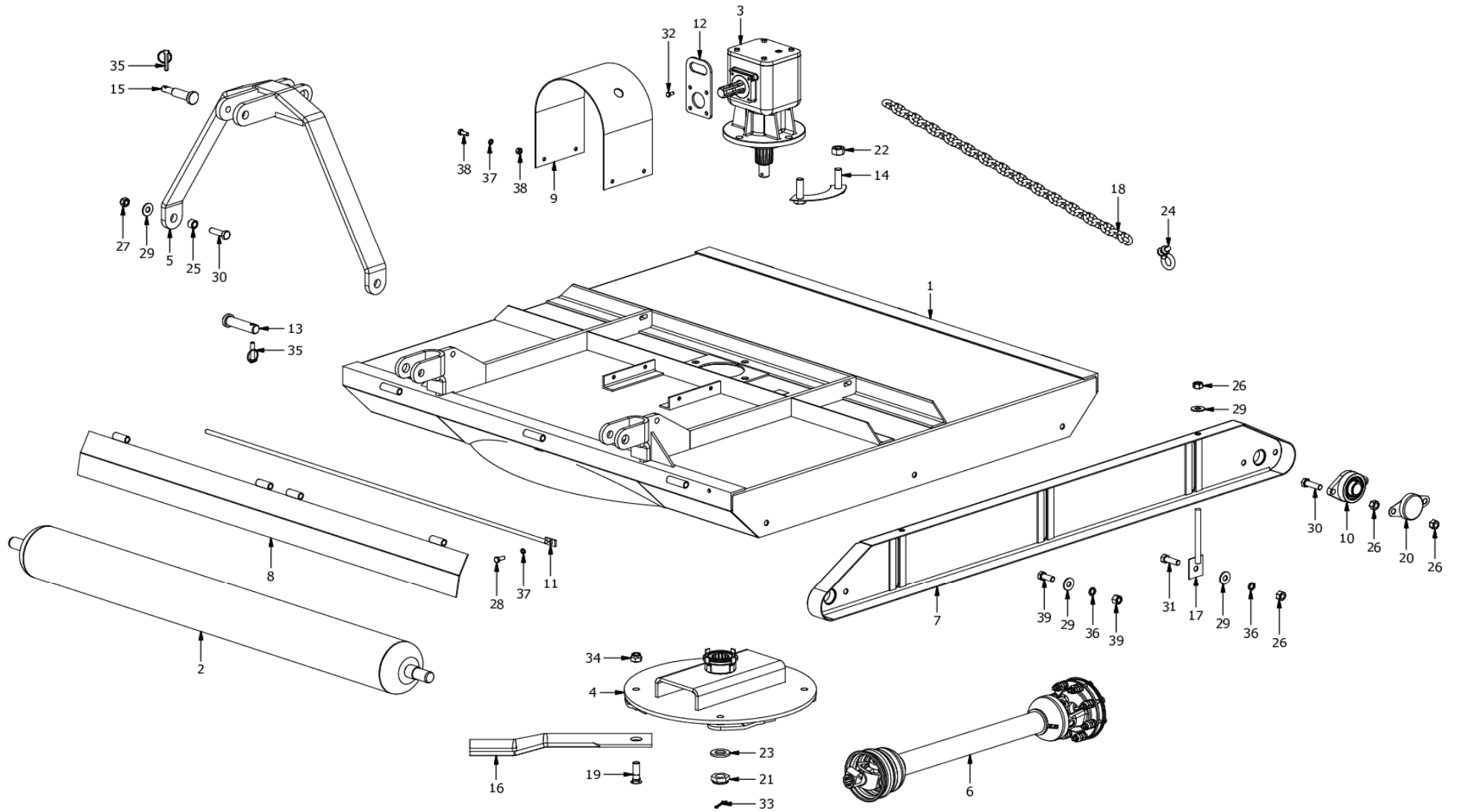


F40-150GM Grassmulcher  
A0094



**F40-150GM Grassmulcher  
A0094**

Item	Part No.	Description	Qty	Item	Part No.	Description	Qty
1	H0563	Deck Painted 1500	1	41	M3187	Decal ATTENTION If your tractor is ....	1
2	H0302	Roller 1500 D165.0	2	42	M3171	Decal Baie Belangrik Alvorens U Die	1
3	M1203	Gearbox F40	1	43	M3168	Decal Bird FALCON Large	1
4	H1282	Disc 4-3/4in PCD490	1	44	M3176	Decal Bird Falcon Meduim	2
5	H0603	Top mast Cat1/2	1	45	M3178	Decal Blade/Lem	1
6	T600960CE112F22	PTO shaft T60 960 112 F22	1	46	M3172	Decal DANGER STAY AWAY - ROTATING.....	1
7	H0479	Side panel	2	47	M3248	Decal F40/150GM Grassmulcher	1
8	H0211	Flap 1500	2	48	M3174	Decal IMPORTANT WHEN LOADING.....	1
9	H0702	PTO guard	1	49	M3173	Decal Lifting hook	1
10	M0461	Bearing UCFL207	4	50	M3175	Decal PROUD TO BE SOUTH AFRICAN	1
11	H0102	Pin Hinge 1500	2	51	M3170	Decal VERY IMPORTANT BEFORE USING.....	1
12	M0626	Lifting bracket	1				
13	H0643	Pin Btm link Cat2	2				
14	H1206	Ganged bolts 3/4UNFx2-1/2	2				
15	H0633	Pin Top link Cat2/1	1				
16	H1527	Blade 10x100x(485)-32.5	4				
17	H0440	Height adjuster	4				
18	R0611	Chain GR5 10.0	1				
19	M51963	Blade bolt 3/4UNCx2-1/2HT CSK	4				
20	M0465	Dust cover UCFL207	4				
21	0.140.7102.00	Nut Slotted M30x2	1				
22	M61919	Nut Nyloc 3/4UNF	4				
23	0.139.7101.00	Washer 31x56x6	1				
24	M0622	Shackle 7/16in 1.5T	2				
25	H71617	Bush 16x25x17	2				
26	M31612	Nut M16	24				
27	M61616	Nut Nyloc M16	2				
28	M41025	Bolt M10x25HT	2				
29	M81603	Washer M16x40x3	12				
30	M41655	Bolt M16x55HT	10				
31	M41650	Bolt M16x50HT	4				
32	M40815	Bolt M8x16HT	4				
33	M1416	Split pin B5x60	1				
34	M61920	Nut Nyloc 3/4UNC	4				
35	FLP11	Lynchpin 11mm	3				
36	M91604	Washer Spring M16	6				
37	M91002	Washer Spring M10	6				
38	M11025	Bolt+nut M10x25HT	8				
39	M11640	Bolt+nut M16x40HT	4				
40	M3003	Serial plate	1				